

RCA VICTOR

Chassis RS-202A, Models 3VC64, 3VC82, 4VC64, 4VC69, 4VC82,
and similar Chassis RS-202B, used in Models 4VE045, 4VE046.

ACCESS TO TUBES

All tubes are accessible through the small panel on the rear of the instrument.

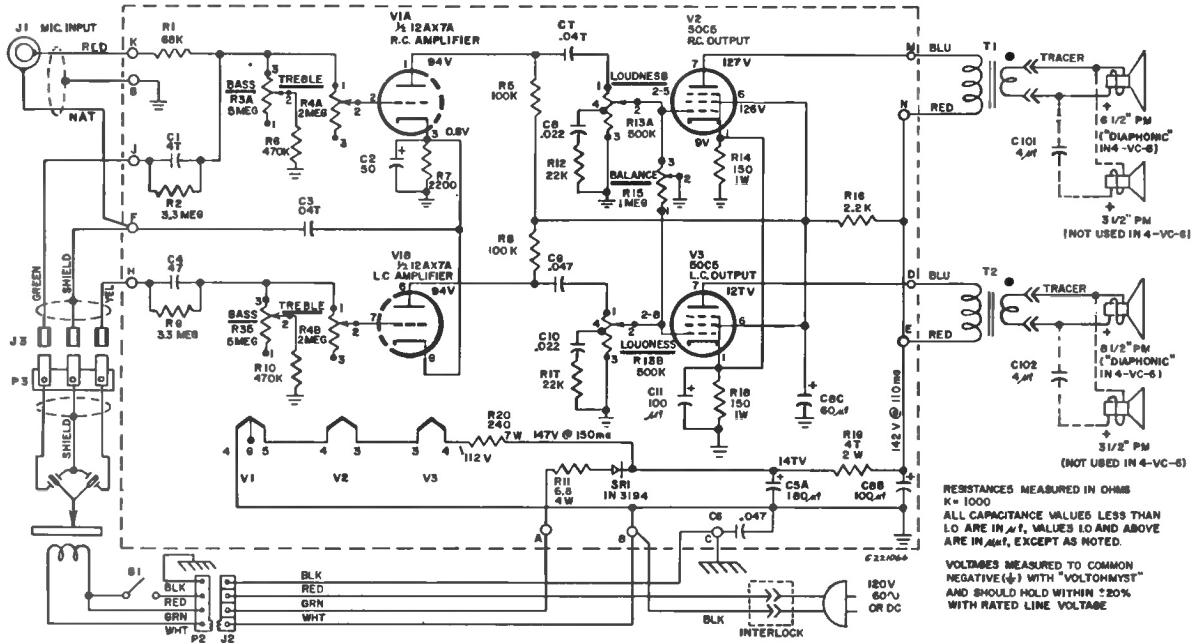
1. Remove power cord.
2. Remove three (3) plated screws holding small access panel on rear of instrument.
3. Swing panel down and to right on its pivot. **DO NOT ATTEMPT TO REMOVE PANEL.**

CHASSIS REMOVAL

The top of the record changer compartment comprises the complete chassis. It rests on and is secured to a ledge at the front and is held by screws at the rear. The recommended procedure for its removal is as follows:

1. Remove knobs.
2. Open small access panel as described in "Access to Tubes."
3. Position two (2) holes in access panel over screws holding power cord interlock.
4. Remove two (2) machine screws holding interlock.

5. Pull record changer drawer down.
If it is not desired to remove chassis completely, omit Steps 6 & 7.
6. Unscrew two (2) bolts securing record changer in access holes in turntable, one at front and one at rear.) drawer. (Lift mat of turntable and reach bolts through access holes in turntable, one at front and one at rear.) **DO NOT ATTEMPT TO REMOVE RECORD CHANGER DRAWER.**
7. Lift up changer and disconnect cables.
8. Remove four (4) plated screws holding front of chassis to horizontal ledge located inside of compartment at front of top.
9. Remove wires, running down each back corner of compartment, from holding clips.
10. Remove four (4) painted screws holding rear of chassis to rear of instrument—just below the access panel.
11. Chassis may then be lowered and removed.
12. Disconnect speaker cables from transformers and lift chassis out of case.



Wiring Board—View from Wiring Side

